

TorrentExam

Input your exam code ...

The passing rate of our valid exam braindumps for most certifications is high up to 99%. A small PDF dumps free is ready to download for new customers to tell if our exam dumps are suitable for their real exam.

All Products

Contact now

Why Choose Us



QUALITY AND VALUE

RealExamFree Practice Exams are written to the highest standards of technical accuracy, using only certified subject matter experts and published authors for development - no all dumps.



TESTED AND APPROVED

We are committed to the process of vendor and third party approvals. We believe professionals and executives alike deserve the confidence of quality coverage these authorizations provide.



EASY TO PASS

If you prepare for the exams using our RealExamFree testing engine, It is easy to succeed for all certifications in the first attempt. You don't have to deal with all dumps or any free torrent / rapidshare all stuff.



TRY BEFORE BUY

RealExamFree offers free demo of each product. You can check out the interface, question quality and usability of our practice exams before you decide to buy.

Customer Reviews



I wasted a lot of money and failed twice. Thanks to HPE0-J78 exam collection I pass now.

Noel



realexamfree is a reliable company. I pass exam at first shot. Many thanks

Julie



Pass BIMF.EN successfully. Really good dumps. It saves me a lot of time. Wonderful!

Ahern



online test engine is very useful for me, because i could practice the C-TERP10-67 question dumps in my phone when i was waiting or on the bus even without internet, i could make the most of my time. Last week, i passed the C-TERP10-67. so i want to share the realexamfree with you guys. hope you will get a good result in test.

Carl

<http://www.torrentexam.com>

Best Exam Bootcamp & Excellent VCE Torrent & Satisfying Dumps Torrent

Exam : **830-01**

Title : RCPE Certified Professional
WAN Optimization

Vendor : Riverbed

Version : DEMO

NO.1 Under what circumstances would there be GRE traffic between the Interceptor and Steelhead appliances?

- A. Throughout the entire lifespan of a connection
- B. During connection teardown
- C. During connection setup
- D. GRE is not used but L2 is used during the entire connection
- E. GRE is never used between the Interceptor and Steelhead appliances

Answer: C

NO.2 You have an in-house HTTP application running on port 8443 but you are not seeing HTTP optimization. You checked and made sure that the HTTP blade is enabled. What is the likely problem?

- A. Primary port needs to be on the LAN side of the Steelhead
- B. There is a separate license key for the HTTP blade
- C. The HTTP blade will only work on port 80 and 8080 and can not be changed
- D. The HTTP blade only supports HTTP 1.1 and the application is using HTTP 1.0
- E. HTTP blade is enabled by default on port 80 and 8080. An in-path rule is necessary for all other ports.

Answer: E

NO.3 When enabling WCCP v2 support, what does a multicast TTL value of 1 imply?

- A. This enables WCCP v2 support
- B. The Steelhead appliance uses a multicast scope of 1 hop
- C. This enables WCCP multicast
- D. This enables WCCP unicast

Answer: B

NO.4 WCCP protocol has a methodology of load balancing with two or more Steelhead appliances. What are the maximum number of buckets able to be used for the MASK assignment?

- A. 8
- B. 32
- C. 64
- D. 128
- E. 256

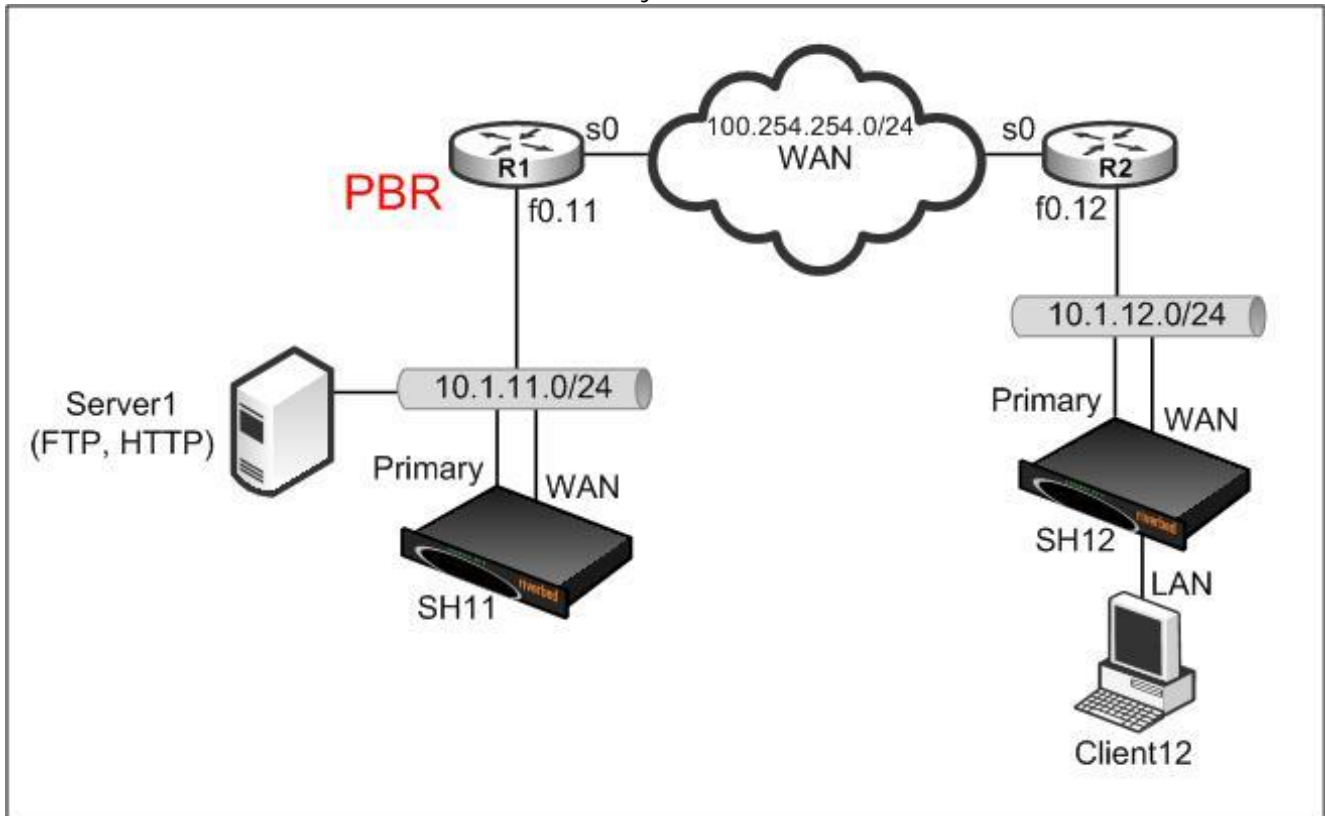
Answer: D

NO.5 A customer would like to deploy the Interceptor appliance on four aggregated 100 Mbps links which use LACP to bundle the physical links into a single logical link. Which of the following is true? (Select 2)

- A. LACP is not supported with the Interceptor appliance
- B. The command "in-path multi-interface enable" must be configured
- C. The same IP address must be configured on each of the four in-path interfaces
- D. Each In-path interface should have its own unique IP address.
- E. The command "no arp filter response" should be enabled.

Answer: D E

NO.6 A server-side logical in-path deployment is shown in the exhibit. Additionally, SH12 is configured with a fixed-target rule pointing to SH11. The client behind SH12 will not be able to establish a connection to SERVER1 as a logical loop will occur when the number of optimized connections in SH11 has reached the maximum system limit.



What is the best way to resolve this issue?

- A. Use the largest Steelhead appliance model
- B. Enter the "in-path loopguard enable" command
- C. Use more than one Steelhead appliance
- D. Limit the number of TCP connections to be optimized
- E. Put SERVER1 in a different subnet from SH11

Answer: E

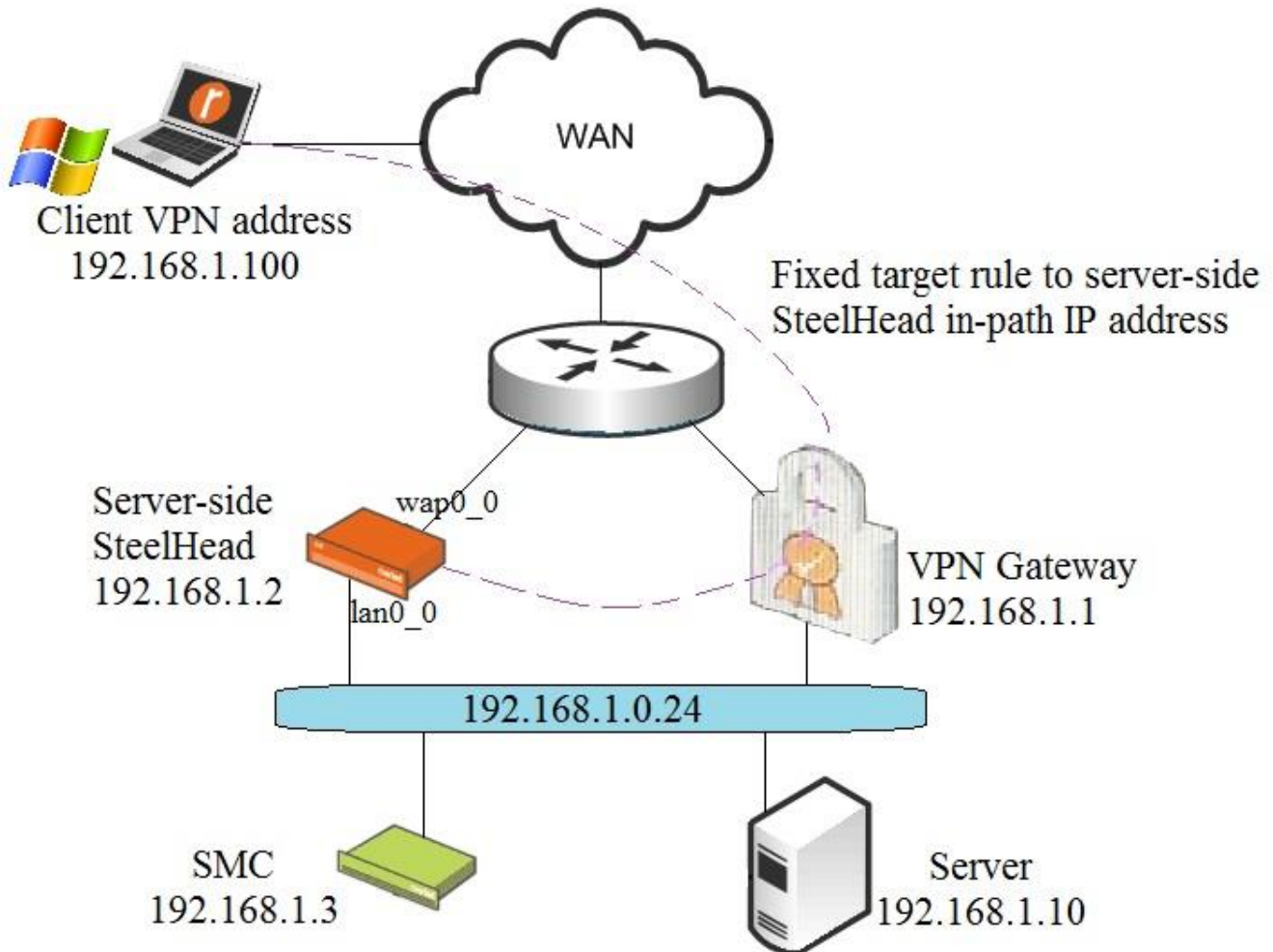
NO.7 The alerting threshold for CPU utilization is 70% and the reset threshold is 50%. Which of the following situations will result in an alarm being triggered? (Select 2)

- A. Initial utilization of 30% becomes 75%
- B. Drop from 90% of utilization to 70%
- C. Initial utilization of 73% becomes 90%
- D. Drop from 75% of utilization to 48% and shot up to 68%
- E. Drop from 75% of utilization to 48% and shot up to 78%

Answer: A E

NO.8 A customer already has a SteelHead appliance in their datacenter and wants to add Steelhead Mobile. Their current deployment has their VPN gateway in parallel with their server-side SteelHead.

The customer doesn't want to interrupt VPN clients by moving the SteelHead in-path with the VPN gateway, so they will test using a fixed-target rule to the SteelHead in-path interface. Take a look at this diagram:

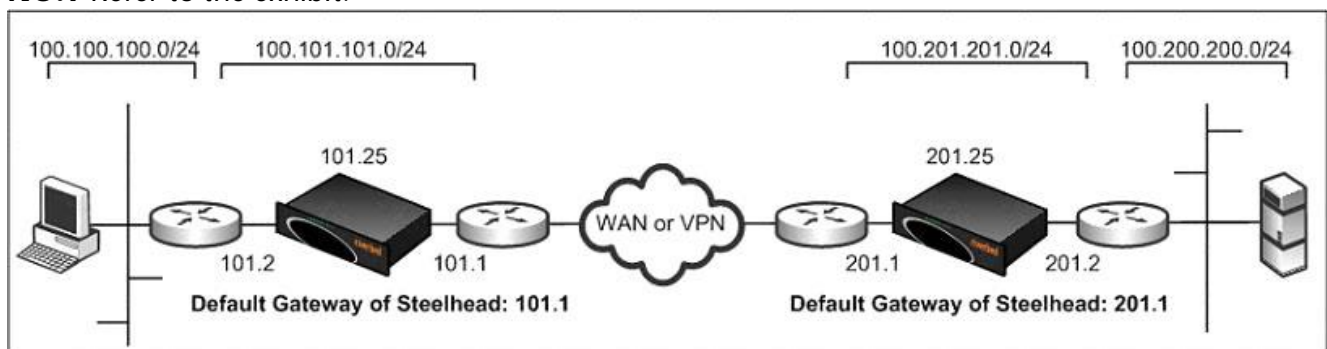


Will the client traffic be optimized to the server 192.168.1.10?

- A. No, the fixed-target rule should be directed to the SteelCentral Controller for SteelHead Mobile IP address.
- B. No, the SteelHead Mobile client will report 'asymmetry' and fail to optimize.
- C. Yes, the WAN router will redirect traffic to the SteelHead using PBR.
- D. Yes, the fixed-target rule will direct traffic to the SteelHead correctly.

Answer: B

NO.9 Refer to the exhibit.



A customer is reporting that the first connection from a user to the server is failing. However, subsequent connections work properly and are optimized. How can this problem best be resolved?

- A. Fixed-target rule
- B. Enable RIP/OSPF on the routers
- C. Enable Simplified Routing
- D. Enable QoS
- E. Enable RIP/OSPF on the Steelhead appliances

Answer: C

NO.10 On the Interceptor appliance, the Networking > Steelheads page displays which of the following?

- A. Optimized connections, Admission Control connection count.
- B. Optimized connections, Pass-through connections count.
- C. Current Connections per Second (CPS), Admission Control count.
- D. Packets per Second, Connections per Second, Optimized connections count.

Answer: A

NO.11 WCCP uses bits to create and distribute buckets. Using HASH assignment, what are the maximum number of bits used?

- A. 4
- B. 7
- C. 8
- D. 32
- E. 256

Answer: C

NO.12 What are an Interceptor appliance's main functions? (Select 2)

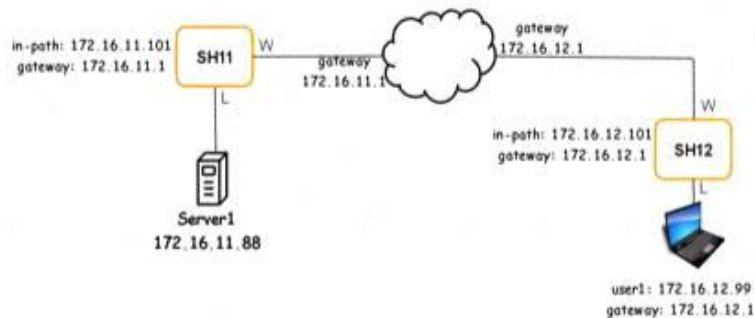
- A. Provides a way to intercept and redirect interesting traffic for optimization
- B. Monitors multiple links and redirect interesting traffic over a cluster of Steelhead appliances in a logical in-path deployment
- C. Replaces any existing Layer 4 switch in a given environment
- D. Used to configure and work with WCCP and PBR
- E. Required component Steelhead appliances in all Steelhead appliance deployments

Answer: A B

NO.13 Which of the following points on WCCP v2 are correct? (Select 4)

- A. Intercept on outbound interface only
- B. Multicast support
- C. Able to redirect any TCP/UDP traffic
- D. Uses UDP port 2048 for control messages
- E. Multi-router support

Answer: B C D E

NO.14 -- Exhibit -

-- Exhibit --

Refer to the exhibit. When USER1 tried to access Server 1, the user sees the shown message on his Steelhead Mobile Client. What does this represent?

- A. The Steelhead Mobile client does not have enough licenses.
- B. The Steelhead Mobile client policy is configured with the "location awareness" feature.
- C. There are pass-through rules not allowing optimization.
- D. The Steelhead Mobile client did not initialize properly and needs to be reset.

Answer: B

NO.15 You need to take a full packet trace from the WAN interface of a Steelhead appliance to send into technical support. Which of the following commands will achieve this assuming typical Ethernet MTU? (Select 2)

- A. tcpdump -i wan0_0 -s 0 -w filename
- B. tcpdump -i wan0_0 -s 1500 -w filename
- C. tcpdump -l wan0_0 -w filename
- D. tcpdump -i wan0_0 -w filename
- E. tcpdump -l wan0_0 -s 1500 -w filename

Answer: A B

NO.16 How do you clean the datastore on a Steelhead appliance?

- 1) > restart empty
- 2) > reload clean
- 3) # restart empty
- 4) # restart clean
- 5) (config) # reload clean

A. 1, 2

B. 2, 3

C. 4, 5

D. 3, 4, 5

E. 1, 2, 3, 4, 5

Answer: C

NO.17 The port used by the Steelhead appliance for datastore synchronizations is:

A. 7801

B. 7810

C. 7744

D. 7850

Answer: C

NO.18 If a Steelhead appliance is configured for logical in-path mode:

A. The Primary interface cannot be on the same subnet

B. The LAN In-path interface will be disabled

C. The WAN In-path interface will be disabled

D. The Steelhead appliance listens for the Interceptor on TCP port 7860

Answer: B

NO.19 What information does the OVA package include about the Virtual Steelhead appliance?

(Select 4)

A. Virtual disks

B. CPU

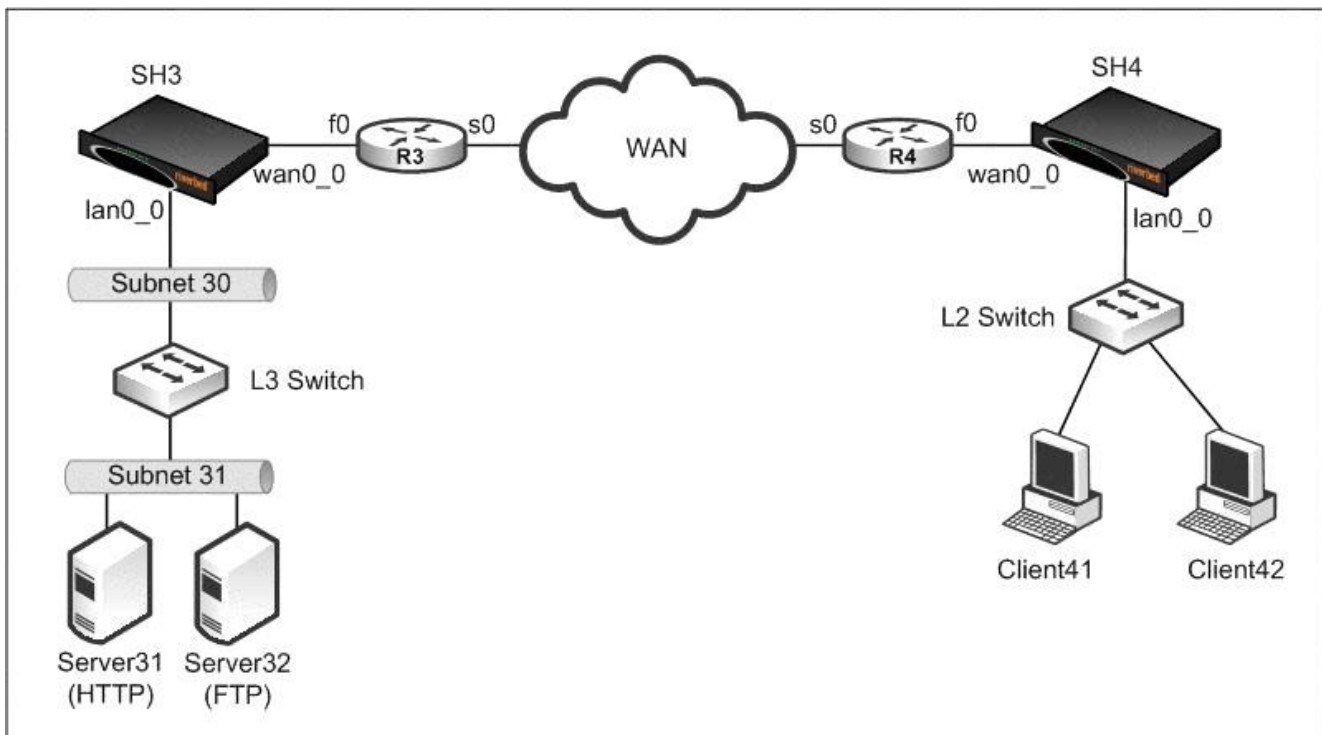
C. Memory

D. License

E. Storage

Answer: A B C E

NO.20 In the exhibit,



there is a resident firewall inside the WAN cloud that drops packets with any TCP option. The customer allows you to use fixed-target rules instead. The firewall policy can only allow unassigned ports 7750-7751 to pass-through it. Additionally, the SH3 has been configured with service port 7750, while SH4 has been configured with service port 7751. Which of the following fixed-target rule specification is correct?

- A.** The fixed-target rule at SH4 peers to the inpath0_0 IP address of SH3 as the target appliance with port number 7800. The fixed-target rule at SH3 peers to the inpath0_0 IP address of SH4 as the target appliance with port number 7800.
- B.** The fixed-target rule at SH4 peers to the inpath0_0 IP address of SH3 as the target appliance with port number 7810. The fixed-target rule at SH3 peers to the inpath0_0 IP address of SH4 as the target appliance with port number 7810.
- C.** The fixed-target rule at SH4 peers to the inpath0_0 IP address of SH3 as the target appliance with port number 7750. The fixed-target rule at SH3 peers to the inpath0_0 IP address of SH4 as the target appliance with port number 7750.
- D.** The fixed-target rule at SH4 peers to the inpath0_0 IP address of SH3 as the target appliance with port number 7751. The fixed-target rule at SH3 peers to the inpath0_0 IP address of SH4 as the target appliance with port number 7750.
- E.** The fixed-target rule at SH4 peers to the inpath0_0 IP address of SH3 as the target appliance with port number 7750. The fixed-target rule at SH3 peers to the inpath0_0 IP address of SH4 as the target appliance with port number 7751.

Answer: E